

Donaldson®
Torit®

**MODULAR BAGHOUSE
DUST COLLECTORS**

ULTRA-WEB®

High Efficiency Fine Fiber Filters Built to Last

DURA-LIFE™

Twice The Life Filter Bags



NOW AVAILABLE WITH



COMPACT, MODULAR DESIGN

The Donaldson® Torit® Modular Baghouse (MB) delivers reliable, efficient, continuous-duty, pulse-jet operation. The MB advantage is found in the breakthrough technology of Dura-Life™ bag filters. Dura-Life bags offer longer bag life and reduced emissions. The MB is now also available with Ultra-Web Spunbond Pleated Bags. This option provides pleated filters with our Ultra-Web fine fiber web-like net to capture dust on the surface of the filter. These filters reduce emissions, provide longer filter life and allow the collector to be downsized to reduce the overall purchase price. The MB provides reliable service with easy maintenance. Computer designed inlets and deflector plates, coupled with maximized bag spacing, result in optimal airflow with minimal abrasion. Advanced valves, providing 50% more cleaning air, result in a more efficient operation. Over the life of the collector, no other baghouse can provide this much value.

MODULAR BAGHOUSE FEATURES:

- Square models help minimize ducting and accessory costs
- Dura-Life "Twice the Life" Bag Filters
- Ultra-Web SB Pleated Bag Option
- Clean air bag access for easier bag service
- Welded design increases durability
- Integral fan option reduces space requirements
- Tool-free installation of bag filters and cages
- 10-year warranty



405MBW10

iCUE™ CONNECTED FILTRATION SERVICE

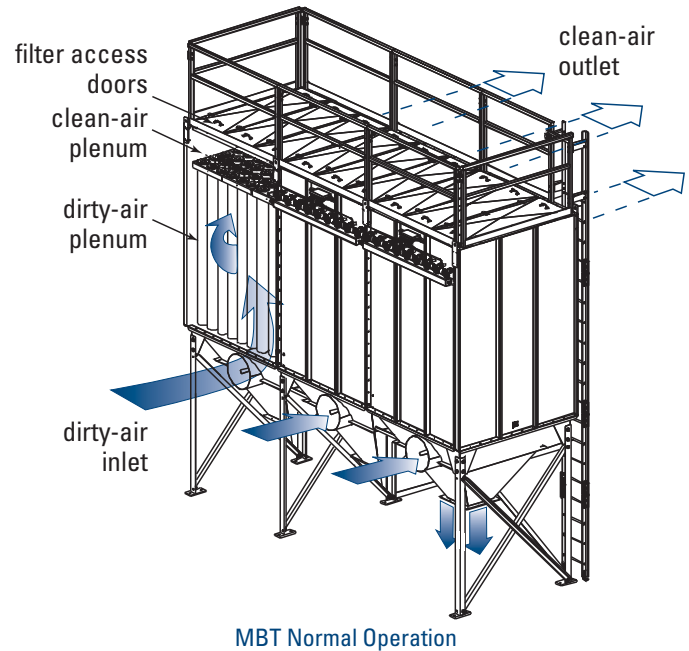
Now available with the option of Donaldson's iCue connected filtration service, an IoT enabled service designed to prompt timely maintenance, helping improve production uptime and reduce operating costs.

OPERATIONS & FEATURES

BAGHOUSE OPERATIONS THAT WORK

The Modular Baghouse collector comes in two models: the MBT allows walk-on, top access to the bags (clean-air side) of the collector. This configuration is ideal for indoor or tight budget applications. The MBW offers a walk-in clean-air plenum, so bags can be replaced in any kind of outdoor weather.

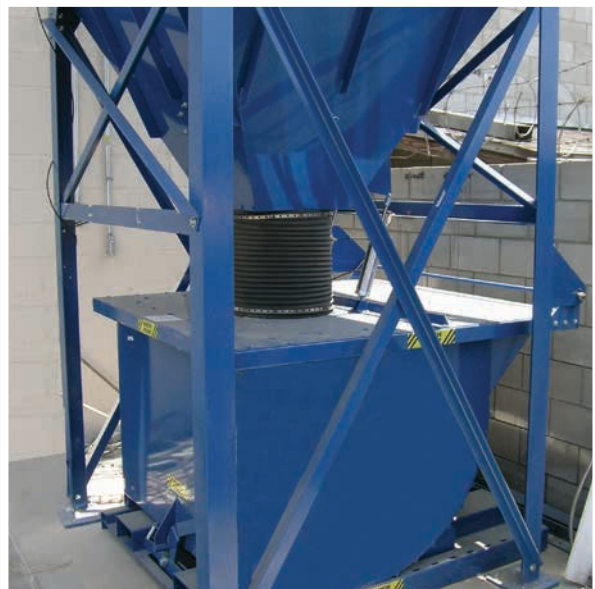
The Modular Baghouse has a hopper inlet that was designed with the help of computer airflow analysis to provide maximum performance. When dusty air enters the inlet, it hits a deflector plate at the end of the inlet, which causes heavier particles to drop directly into the hopper. This design reduces the amount of dust that comes in contact with the bags, thus reducing bag abrasion and providing reduced pressure drop and longer bag life.



HIGH-VOLUME PERFORMANCE WITH DURA-LIFE™ “TWICE THE LIFE” BAG FILTERS OR OUR **NEW** ULTRA-WEB SB PLEATED BAGS

DUMPSTER DISCHARGE FOR HEAVY DUST LOADING

For applications with heavy dust loading, the MB has an easy to use Dumpster Discharge. This option provides either a two or three cubic yard self-dumping dumpster that can be hauled away with the use of a forklift. The dumpster comes with a lid that seals the system so that no rotary valve is required. The lid is lifted off of the dumpster via a mechanical lift, which is included with the package.



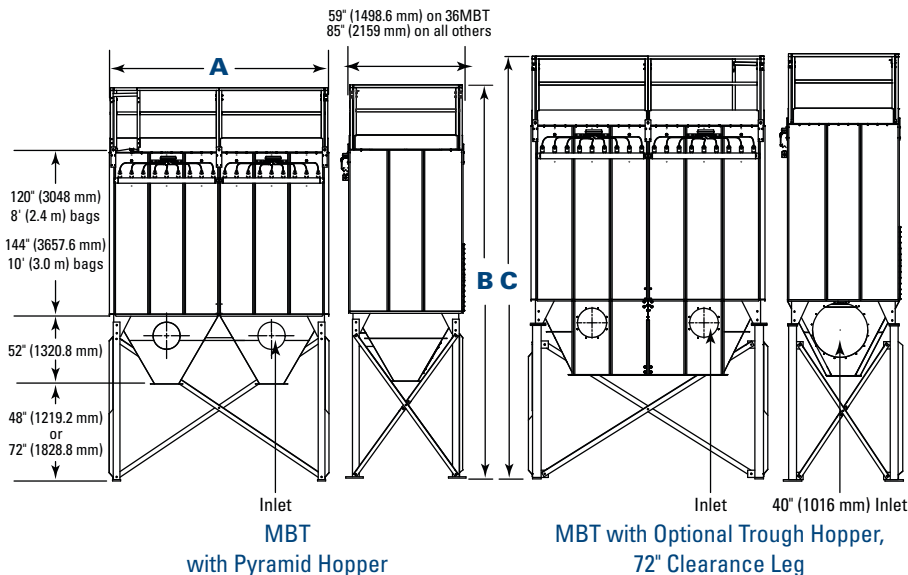
* FLUENT is a registered trademark of Fluent, Inc.

DIMENSIONS & SPECIFICATIONS

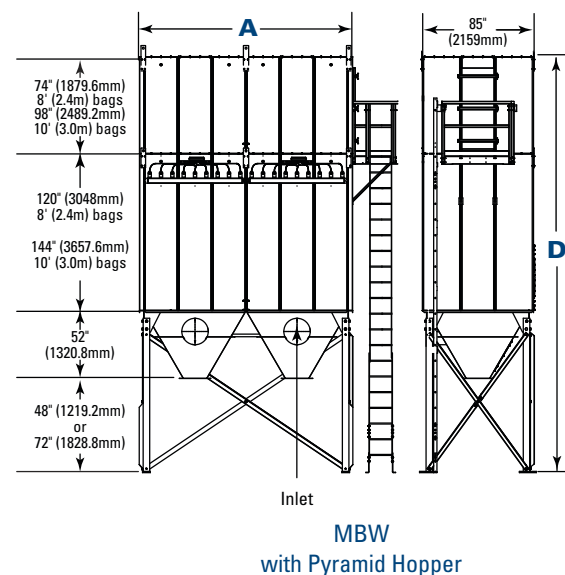
Model	Bag Cloth Area		Pleated Bag Media Area								No. of Bags	No. of Valves	Shipping Weight			
			20" UW		40" UW		60" UW		80" SB				MBT		MBW	
	ft ²	m ²	ft ²	m ²	ft ²	m ²	ft ²	m ²	ft ²	m ²			lb	kg	lb	kg
36 MBT5	288	26.8	425	39.5	850	78.9	1,274	118.4	1,703	158.2	36	6	3000	1,360.8	—	—
36 MBT6	345	32.1	425	39.5	850	78.9	1,274	118.4	1,703	158.2	36	6	3100	1,406.1	—	—
36 MBT8	460	42.7	425	39.5	850	78.9	1,274	118.4	1,703	158.2	36	6	3400	1,542.2	—	—
54 MBT6	518	48.1	637	59.2	1,274	118.4	1,912	177.6	2,554	237.3	54	6	3900	1,769.0	—	—
54 MBT8	691	64.2	637	59.2	1,274	118.4	1,912	177.6	2,554	237.3	54	6	4200	1,905.1	—	—
54 MBT10	866	80.5	637	59.2	1,274	118.4	1,912	177.6	2,554	237.3	54	6	5300	2,404.0	—	—
81 MBT(W)8	1039	96.5	956	88.8	1,912	177.6	2,867	266.4	3,831	355.9	81	9	5800	2,630.8	6800	3,084.4
81 MBT(W)10	1299	120.7	956	88.8	1,912	177.6	2,867	266.4	3,831	355.9	81	9	7300	3,311.2	7900	3,583.4
108 MBT(W)8	1383	128.5	1,274	118.4	2,549	236.8	3,823	355.2	5,108	474.6	108	12	7800	3,538.0	8400	3,810.2
108 MBT(W)10	1730	160.7	1,274	118.4	2,549	236.8	3,823	355.2	5,108	474.6	108	12	8500	3,855.5	9400	4,263.8
144 MBWS8	1845	171.4	1,699	157.9	3,398	315.7	5,098	473.6	6,811	632.8	144	12	—	—	10,088	4,575.8
144 MBWS10	2307	214.3	1,699	157.9	3,398	315.7	5,098	473.6	6,811	632.8	144	12	—	—	10,559	4,789.5
162 MBT(W)8	2078	193.1	1,912	177.6	3,823	355.2	5,735	532.8	7,663	711.9	162	18	9300	4,218.4	9200	4,173.0
162 MBT(W)10	2598	241.4	1,912	177.6	3,823	355.2	5,735	532.8	7,663	711.9	162	18	10,800	4,898.8	11,000	4,989.5
225 MBWS8	2884	267.9	2,655	246.7	5,310	493.3	7,965	740.0	10,643	988.7	225	15	—	—	14,460	6,558.9
225 MBWS10	3606	335.0	2,655	246.7	5,310	493.3	7,965	740.0	10,643	988.7	225	15	—	—	15,481	7,022.1
243 MBT(W)8	3117	289.6	2,867	266.4	5,735	532.8	8,602	799.2	11,494	1,067.8	243	27	13,300	6,032.8	14,700	6,667.8
243 MBT(W)10	3897	362.0	2,867	266.4	5,735	532.8	8,602	799.2	11,494	1,067.8	243	27	15,200	6,894.6	17,200	7,801.8
324 MBWS8	4156	386.1	3,823	355.2	7,646	710.4	11,470	1,065.6	15,325	1,423.8	324	36	—	—	20,076	9,106.3
324 MBWS10	5196	482.7	3,823	355.2	7,646	710.4	11,470	1,065.6	15,325	1,423.8	324	36	—	—	20,154	9,141.7

*Based on clean filters. **Two pyramid hoppers. Single outlet hopper also available.

MODEL 162MBT8 SHOWN



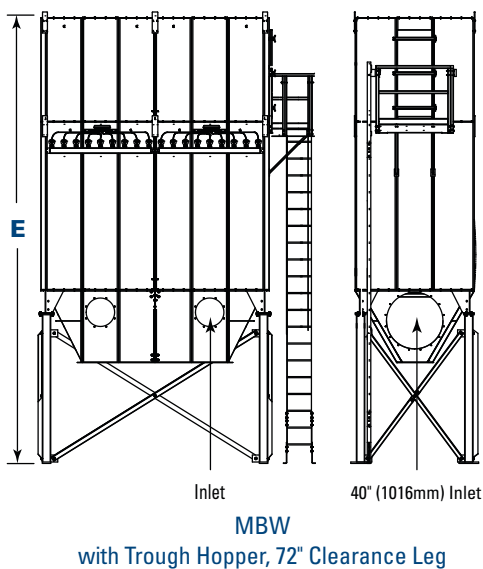
MODEL 162MBW8 SHOWN



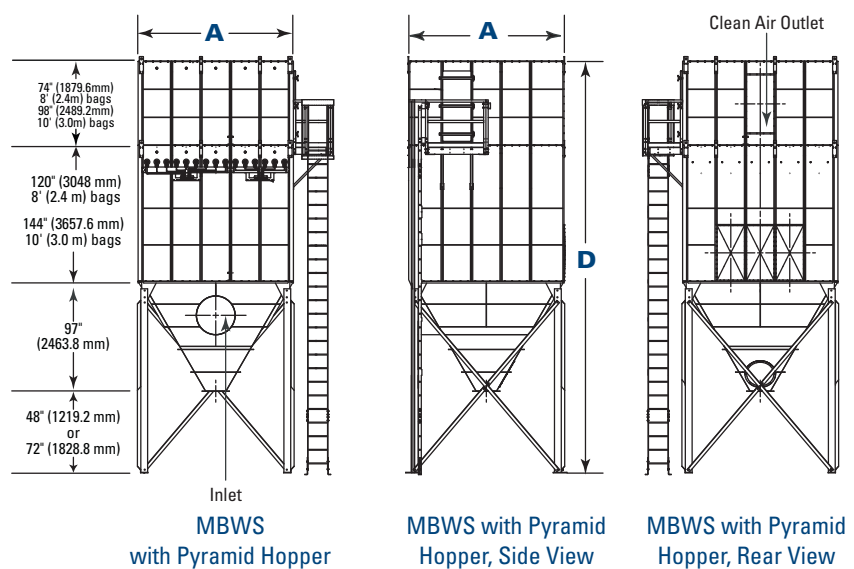
Model	A		B				C		D				E	
	MBT/MBW		MBT 48-in		MBT 72-in		MBT		MBW 48-in		MBW 72-in		MBW	
	in	mm	in	mm	in	mm	in	mm	in	mm	in	mm	in	mm
36 MBT5	57.5	1,460.5	209.7	5326.4	—	—	—	—	—	—	—	—	—	—
36 MBT6	57.5	1,460.5	221.7	5631.2	—	—	—	—	—	—	—	—	—	—
36 MBT8	57.5	1,460.5	245.7	6240.8	—	—	—	—	—	—	—	—	—	—
54 MBT6	57.5	1,460.5	244.2	6202.7	—	—	—	—	—	—	—	—	—	—
54 MBT8	57.5	1,460.5	268.2	6812.3	—	—	—	—	—	—	—	—	—	—
54 MBT10	57.5	1,460.5	292.2	7421.9	—	—	—	—	—	—	—	—	—	—
81 MBT(W)8	85.0	2,159.0	268.2	6812.3	292.2	7421.9	—	—	294.1	7470.1	318.1	8,079.7	—	—
81 MBT(W)10	85.0	2,159.0	292.2	7421.9	316.2	8031.5	—	—	342.1	8689.3	366.1	9,298.9	—	—
108 MBT(W)8	111.0	2,819.4	290.8	7386.3	314.8	7995.9	—	—	316.7	8044.2	340.7	8,653.8	—	—
108 MBT(W)10	111.0	2,819.4	314.8	7995.9	338.8	8605.5	—	—	364.7	9263.4	388.7	9,873.0	—	—
144 MBWS8	111.0	2,819.4	—	—	—	—	—	—	316.6	8041.6	340.6	8,651.2	—	—
144 MBWS10	111.0	2,819.4	—	—	—	—	—	—	364.6	9260.8	388.6	9,870.4	—	—
162 MBT(W)8	163.0	4,140.2	268.2	6812.3	292.2	7421.9	292.3	7,424.4	294.1	7470.1	318.1	8,079.7	318.4	8087.4
162 MBT(W)10	163.0	4,140.2	292.2	7421.9	316.2	8031.5	316.2	8,031.5	342.1	8689.3	366.1	9,298.9	366.1	9298.9
225 MBWS8	137.0	3,479.8	—	—	—	—	—	—	339.1	8613.1	363.1	9,222.7	—	—
225 MBWS10	137.0	3,479.8	—	—	—	—	—	—	387.1	9832.3	411.1	10,441.9	—	—
243 MBT(W)8	241.0	6,121.4	268.2	6812.3	292.2	7421.9	292.2	7,421.9	294.1	7470.1	318.1	8,079.7	318.1	8079.7
243 MBT(W)10	241.0	6,121.4	292.2	7421.9	316.2	8031.5	316.2	8,031.5	342.1	8689.3	366.1	9,298.9	366.1	9298.9
324 MBWS8	163.0	4,140.2	—	—	—	—	—	—	320.6	8143.2	344.6	8,752.8	—	—
324 MBWS10	163.0	4,140.2	—	—	—	—	—	—	417.3	10599.4	441.3	11,209.0	—	—

* Two pyramid hoppers. Single outlet hopper also available.

MODEL 162MBW8 SHOWN



MODEL 225MBWS8 SHOWN



2 BREAKTHROUGH FILTER OPTIONS FOR YOUR MODULAR BAGHOUSE

DURA-LIFE FILTER BAGS PROVIDE TWICE THE LIFE OVER STANDARD 16 OZ POLYESTER BAGS

Traditional 16 oz polyester bags are produced via a needling process that creates larger pores where dust can embed into the fabric, inhibiting cleaning and reducing bag life. Dura-Life bags are engineered with a unique hydroentanglement process that uses water jets to blend the fibers. This process creates a felt with smaller pores which keeps more dust on the surface of the filter resulting in better pulse cleaning and longer bags life.

DURA-LIFE BENEFITS

- Up to two times longer bag life
- Energy savings due to lower pressure drop
- Reduced replacement bag and maintenance costs due to longer bag life



PLEATED BAGS WITH ULTRA-WEB SB PROVIDE LONGER LIFE AND REDUCED EMISSIONS

For more than two decades, Donaldson Torit has advanced the proven Ultra-Web fine fiber technology. Ultra-Web provides a very fine, continuous fiber of 0.2-0.3 micron in diameter to form a web-like net that traps dust on the surface of the media. Combining Ultra-Web technology with a sturdy spunbond polyester substrate, Ultra-Web SB pleated bag filters provide longer life, reduced downtime and reduced emissions.

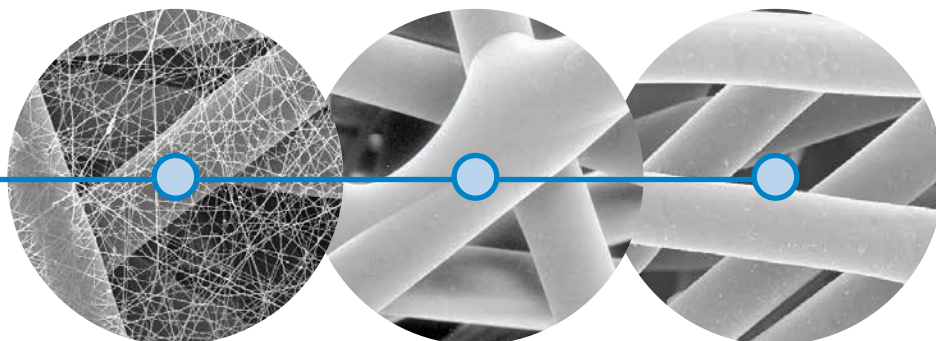
ULTRA-WEB SB PLEATED BAG BENEFITS

- Reduced collector size and first cost
- Up to two times longer filter life
- Energy savings due to lower pressure drop
- Reduced maintenance and downtime costs
- Reduced compressed air costs



10 micron

1 micron = 1/25,400 of an inch
(1/1,000 of a millimeter)



**Ultra-Web SB
Fine fiber Technology**
(600x)

**Spunbond
Media**
(600x)

**Standard 16 oz.
Polyester Media**
(600x)

STANDARD FEATURES & OPTIONS

Collector Design	Std	Opt
Clean Air Plenum with Top-Bag Removal	X	
Heavy-Duty Ribbed Housing Construction	X	
All-Welded, Carbon Steel Design - 12 Gauge Minimum	X	
Heavy-Duty 3/16" Tubesheet	X	
Filter Cleaning System	X	
Service Railing with Kickplate (MBT)	X	
Bottom Bag Removal		X
High Temperature Construction		X
Stainless Steel Construction		X
Direct Drive Fans		X
Power Pack Transition for TBI Fans		X
Chamber and Exhaust Silencers		X
Damper Pack		X
Service Platform (MBW)		X
Ladders and Platform Assemblies		X
Bags & Cages		
Dura-Life Twice the Life Polyester Felt Snap-In Bags	X	
Galvanized Bag Cages	X	
Ultra-Web® SB Pleated Bags		X
Variety of Bag Media Options		X
Articulated Cages		X
Paint System		
Prime Coated Interior Space	X	
Textured Multi-Coat Paint Finish with 2,000-Hour Salt Spray Performance	X	
Premium Duty Finish		X
Custom Colors		X

*Magnehelic and Photohelic are registered trademarks of Dwyer Instruments, Inc.
Donaldson Torit equipment is designed to IBC guidelines for specific wind speed exposure and seismic spectral acceleration at grade level. Contact your Donaldson Torit representative for detailed information available on the equipment's Spec Control drawings. Equipment may be customized to meet unique, customer-specified site requirements.

Hopper Design	Std	Opt
60° Pyramid Hoppers	X	
Inlets with Deflector	X	
Trough Hopper with Multiple or Single Inlets	X	
Hopper Access Covers	X	
Inlet Transitions		X
Pyramid Hopper Cover with Flood Valve		X
Hopper Discharge		
Slide Gate Pack		X
55-Gallon (208.2-Liter) Drum Pack		X
Dumpster Discharge with Dumpster		X
AN Rotary Valves and Transitions		X
Support Structure †		
48" (1,219.2 mm) Clearance Leg Pack (pyramid hoppers)	X	
Stub Legs (trough hopper)	X	
72" (1,828.8 mm) Clearance Leg Pack		X
Electrical Controls, Gauges and Enclosures		
Solenoid Valves in NEMA 4 Enclosure	X	
Magnehelic** Gauge	X	
Control Timer in NEMA 4 Enclosure	X	
Solenoid Enclosure in NEMA 7 or 9		X
Photohelic** Gauge		X
Delta P or Delta P Plus Control Panel		X
iCue™ Connected Filtration Service		X
Safety Features		
Sprinkler Access Ports	X	
Sprinkler Pack Assembly (wet or dry)		X
Explosion Vents		X
Ladder Safety System		X
Warranty		
10-Year Warranty	X	

PROVEN PERFORMANCE ON HUNDREDS OF APPLICATIONS



162MBT8
Wood Dust



405MBT8
Brick Manufacturing



405MBW10
Foundry



324MBWS10
Shingle Manufacturing

Industry-Leading Technology

- Advanced filtration technology for optimal performance
- Reduced energy consumption and cost of ownership
- Advanced design and testing capabilities

The Most Filters and Parts

- For every brand and style of collector
- Wide range of filtration media for any application
- 90,000 filters and parts in stock and ready to ship

Unparalleled Support

- Live technical specialists
- Comprehensive pre- and post-sale support
- 40 manufacturing plants and 14 distribution centers worldwide

Significantly improve the performance of your collector with genuine Donaldson Torit replacement filters and parts. **Call Donaldson Torit at 800-365-1331.**

Important Notice

Many factors beyond the control of Donaldson can affect the use and performance of Donaldson products in a particular application, including the conditions under which the product is used. Since these factors are uniquely within the user's knowledge and control, it is essential the user evaluate the products to determine whether the product is fit for the particular purpose and suitable for the user's application. All products, product specifications, availability and data are subject to change without notice, and may vary by region or country.



Donaldson.

Donaldson Company, Inc.
Minneapolis, MN
donaldson.com • shop.donaldson.com

North America
Email: donaldson@donaldson.com
Phone: (USA): +1-800-365-1331 • (MX): +1-800-343-36-39

Australasia
Email: marketing.australia@donaldson.com
Phone: +61-2-4350-2000
Toll Free: (AU) +1800-345-837 • (NZ) +0800-743-387

F118033 ENG (08/20) Modular Baghouse Dust Collector ©2011-2020 Donaldson Company, Inc.
Donaldson, Torit, Dura-Life, iCue, Ultra-Web and the color blue are marks of Donaldson Company, Inc. All other marks belong to their respective owners.

China
Email: info.cn@donaldson.com
Phone: +86-400-820-1038

Donaldson Europe B.V.B.A.
Email: IAF-europe@donaldson.com
Phone: +32-16-38-3811

India
Email: info.difs@donaldson.com
Phone: +91-124-4807-400 • +18001035018

Japan
Email: jp-ndl.ifsw@donaldson.com
Phone: +81-42-540-4112

Korea
Email: iaf-kr@donaldson.com
Phone: +82-2-517-3333

Latinoamerica
Email: IndustrialAir@donaldson.com
Phone: +52-449-300-2442

South Africa
Email: SAMarketing@donaldson.com
Phone: +27-11-997-6000

Southeast Asia
Email: IAFSEA@donaldson.com
Phone: +65-6311-7373